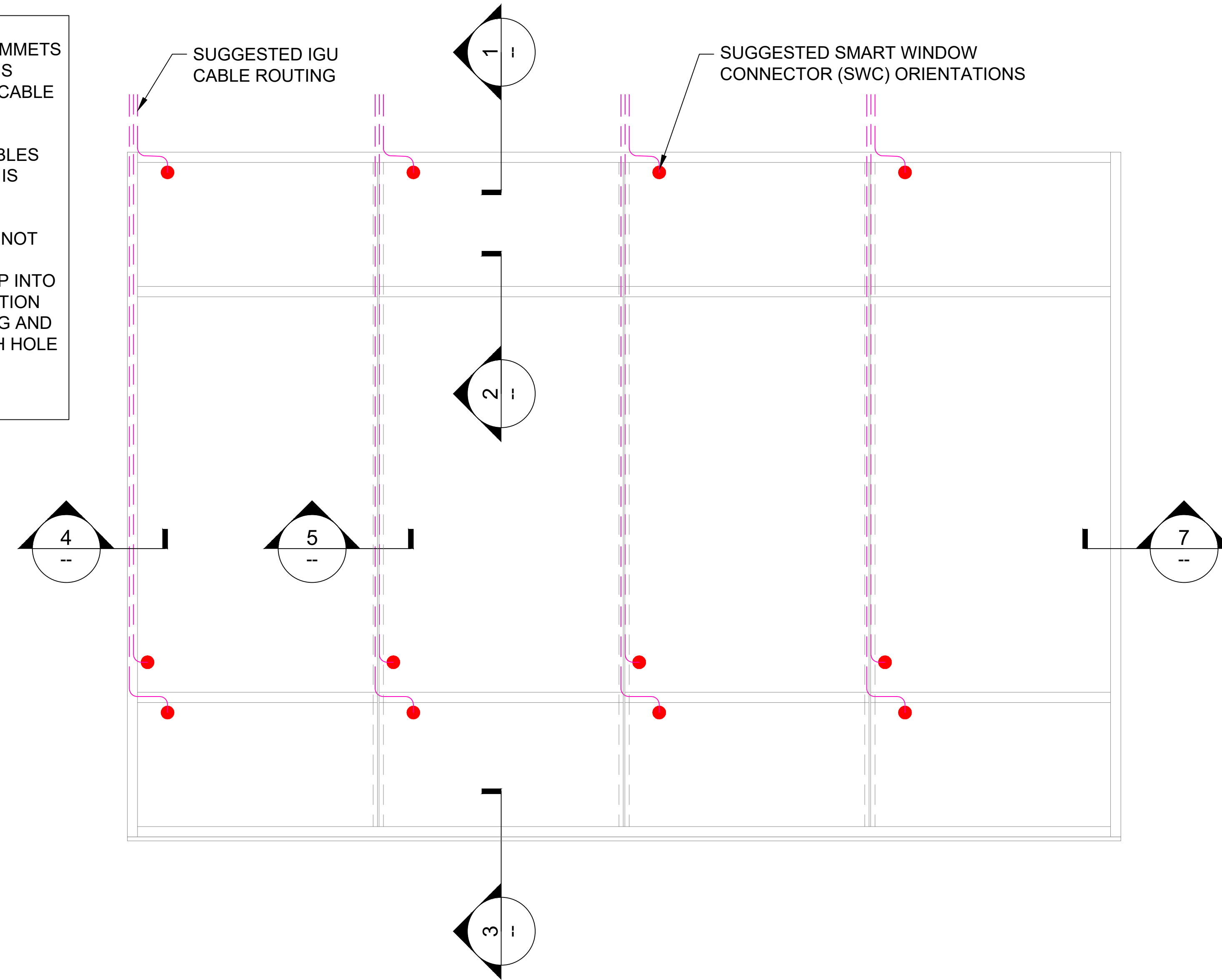
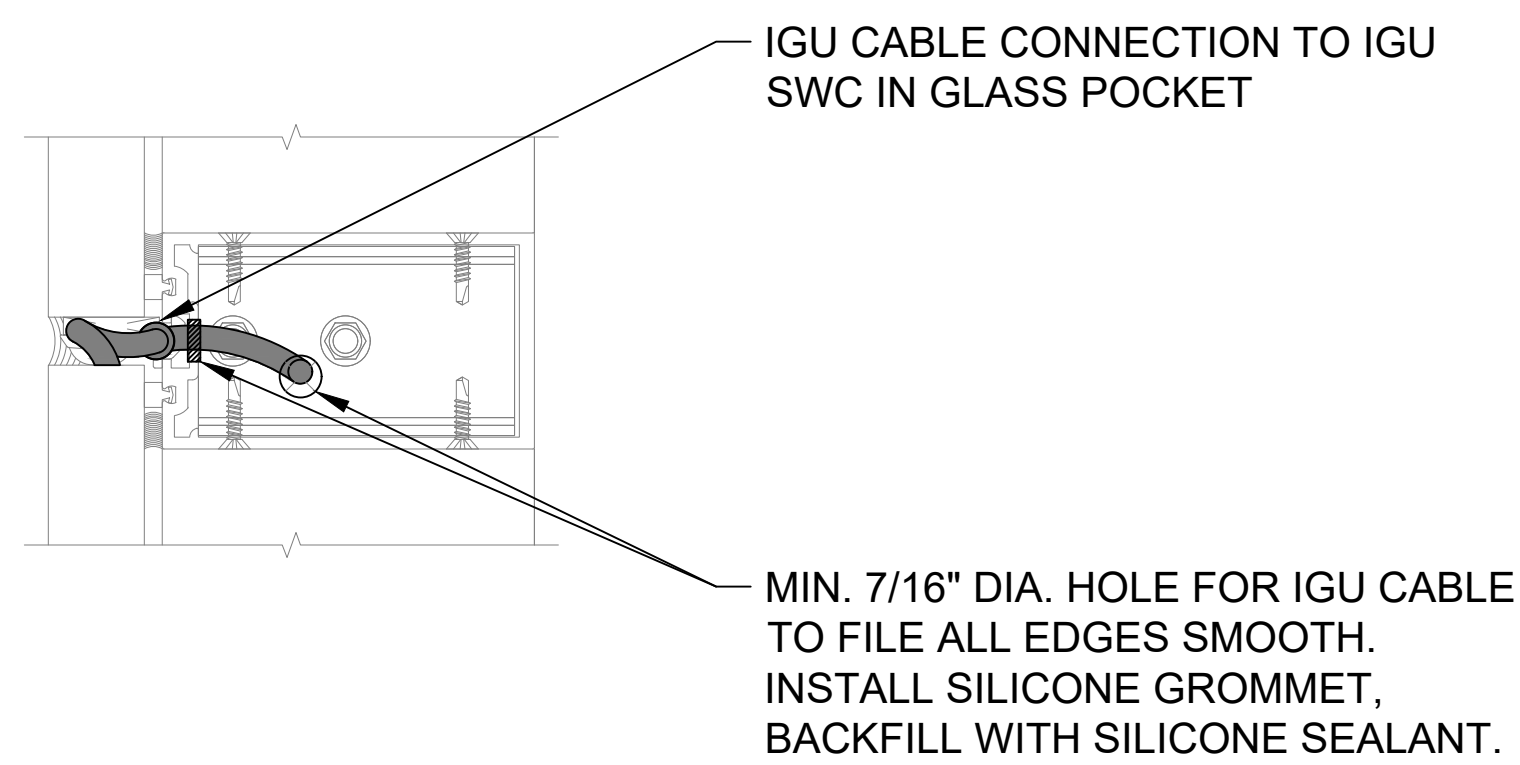


**DETAIL 1**  
 HEAD

- NOTES:
1. INSTALLER TO PROVIDE GROMMETS AT ALL FRAME PENETRATIONS WHERE POSSIBLE TO AVOID CABLE DAMAGE.
  2. INSTALLER TO LABEL IGU CABLES WITH IGU NAME TO WHICH IT IS CONNECTED.
  3. WHEN GLAZING POCKET CANNOT ACCOMMODATE IGU/SWC, INCORPORATE SERVICE LOOP INTO IGU CABLING. MAKE CONNECTION TO SWC AS YOU ARE GLAZING AND PUSH CONNECTOR THROUGH HOLE AND INTO MULLION.
  4. NO WIRE ROUTING IN SILL.



**TYPICAL ELEVATION**  
 SCALE: NONE

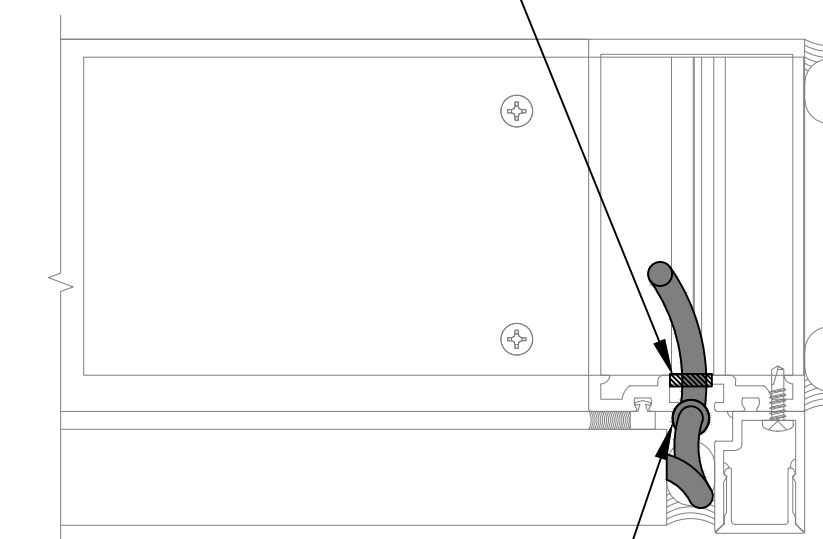
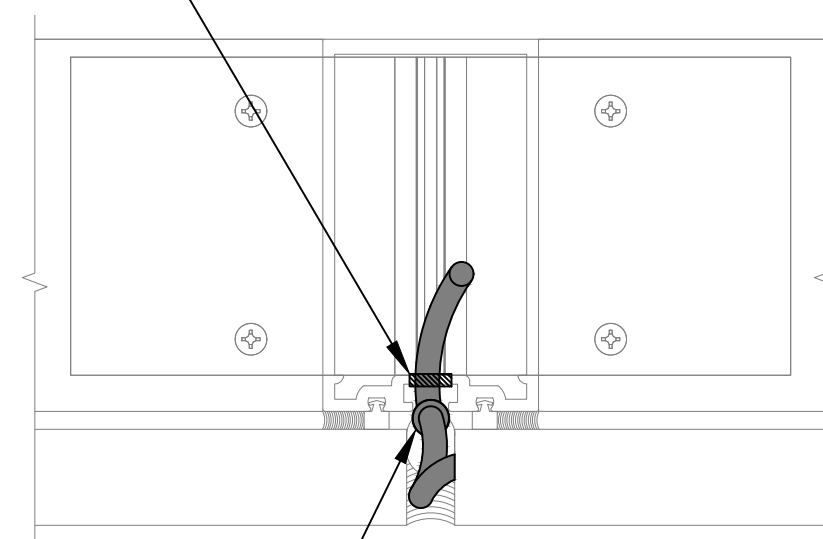
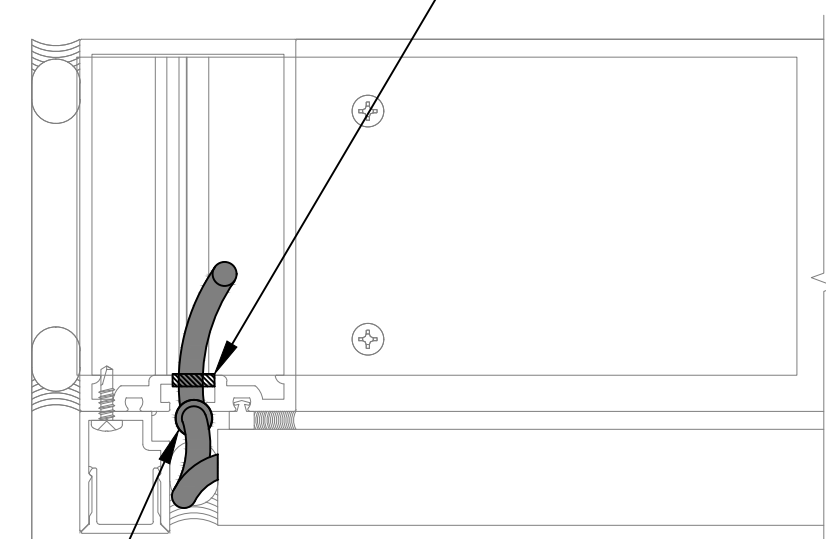
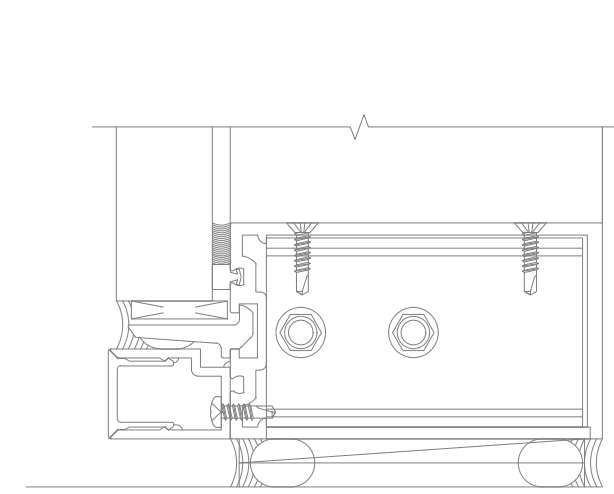


**DETAIL 2**  
 HORIZONTAL MULLION

NO CABLE ROUTING IN SILL

MIN. 7/16" DIA. HOLE FOR IGU CABLE TO FILE ALL EDGES SMOOTH. INSTALL SILICONE GROMMET, BACKFILL WITH SILICONE SEALANT.

MIN. 7/16" DIA. HOLE FOR IGU CABLE TO FILE ALL EDGES SMOOTH. INSTALL SILICONE GROMMET, BACKFILL WITH SILICONE SEALANT.



**DETAIL 3**  
 SILL

**DETAIL 4**  
 LEFT JAMB

**DETAIL 5**  
 VERTICAL MULLION

**DETAIL 7**  
 RIGHT JAMB

**1** INSTALLATION DETAILS: FOR EFCO - 5600-SSG-2 (CW)